

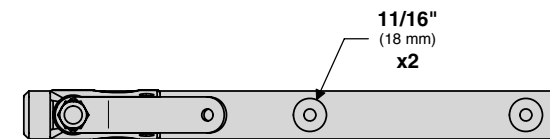
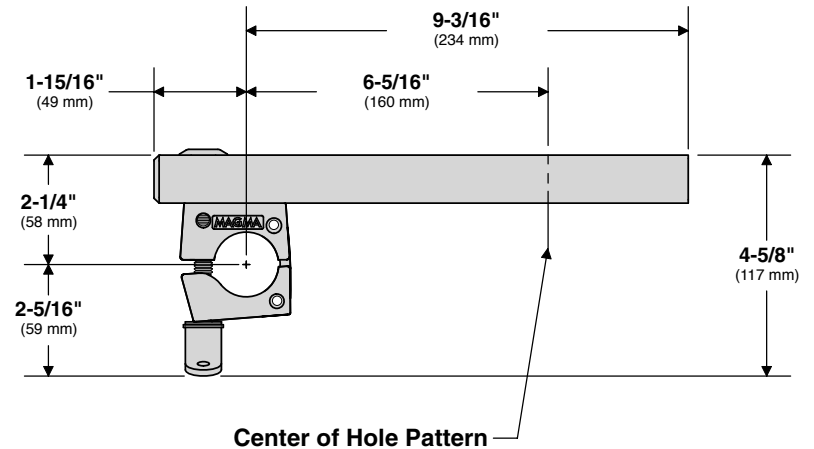
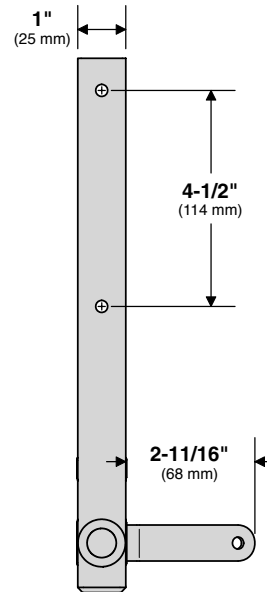
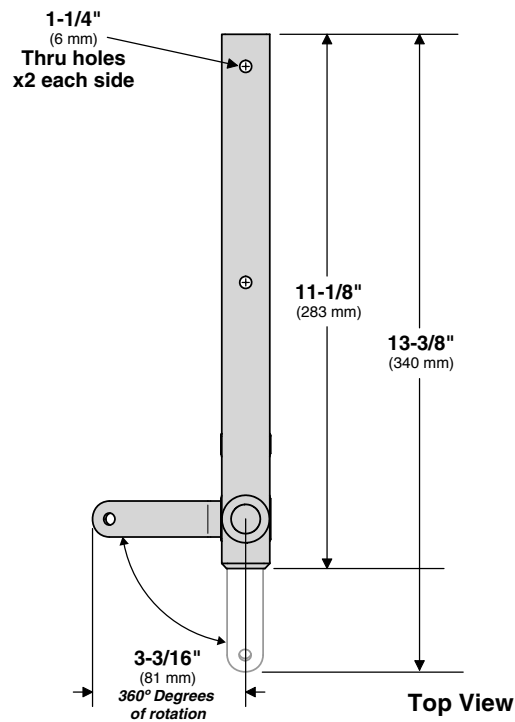
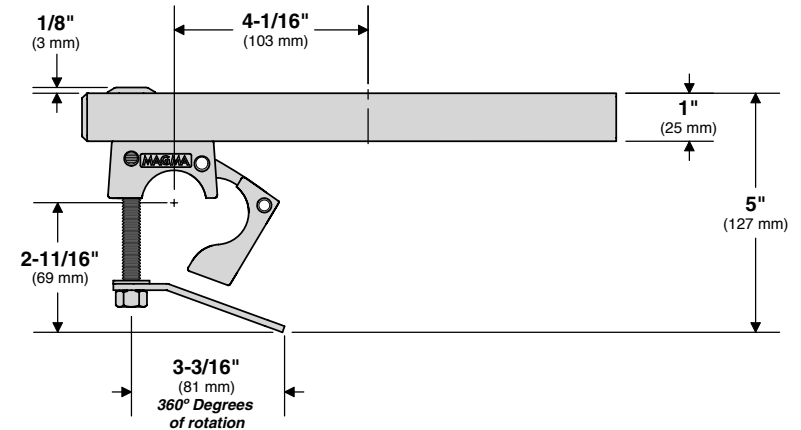
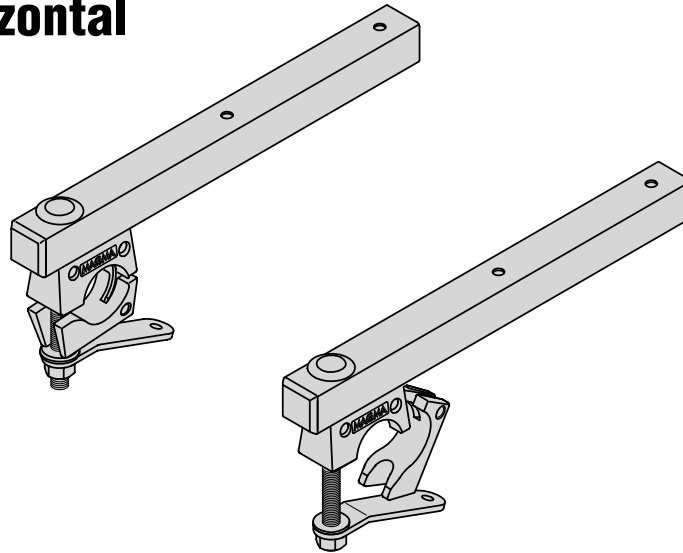
T10-690 "Dual" Extended Horizontal Round Rail Mount

Fits Large Rails 1-1/2"
(38 mm)

Mount Weight 2.26 lb.
(1.03 kg)



MAGMA PRODUCTS, INC.
3940 PIXIE AVE. • LAKEWOOD, CA 90712
TEL (562) 627-0500 • FAX (562) 627-0550
www.MagmaProducts.com
email: Mail@MagmaProducts.com



Bottom View