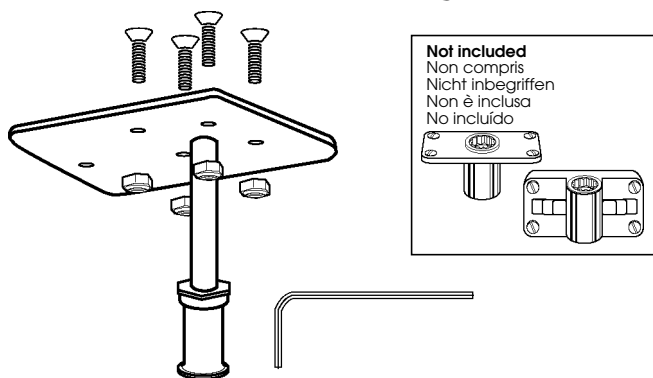


Use with Single Mount "SM" Tables or Gourmet Series Grills

## Standard Duty



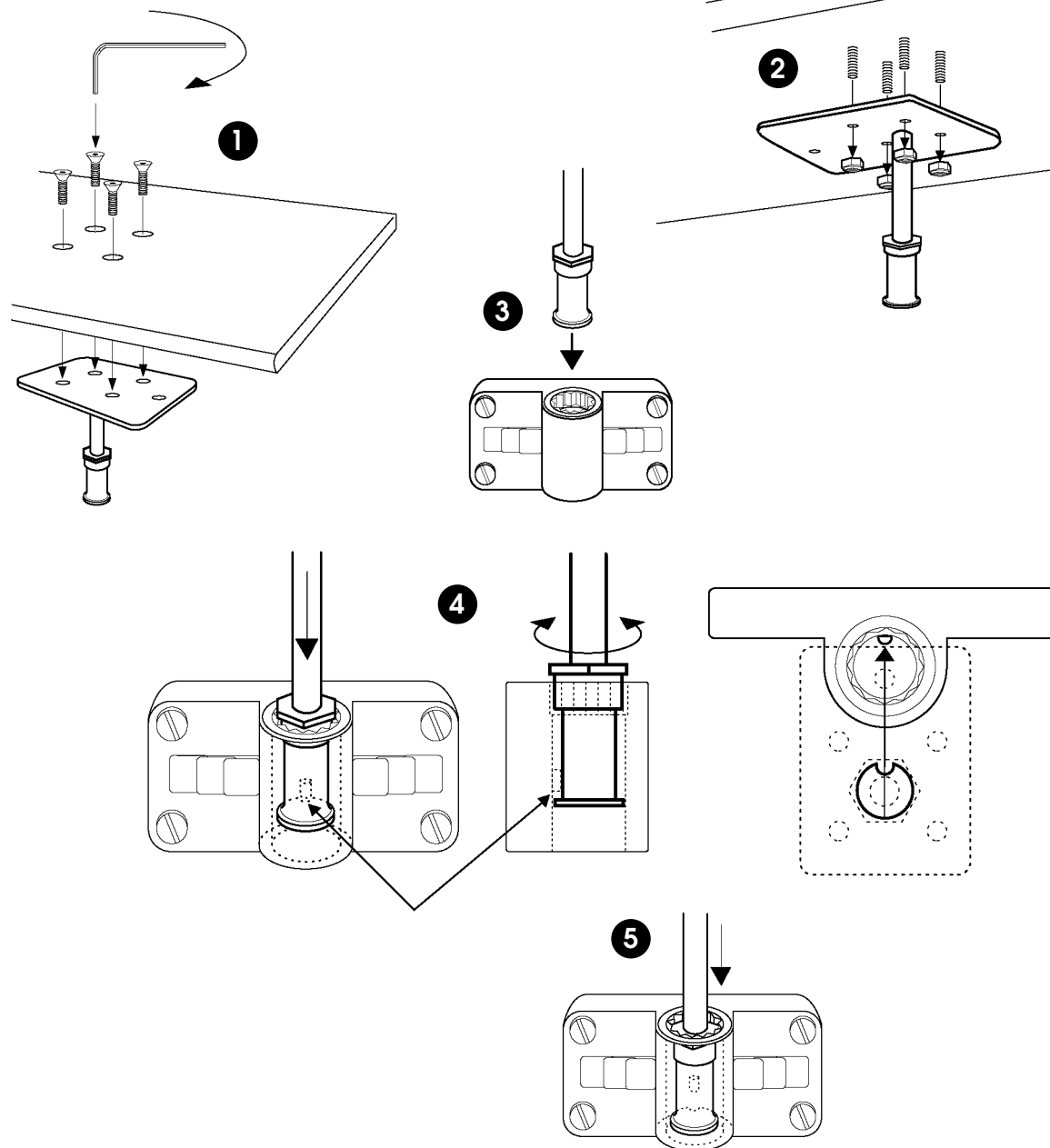
Not included  
 Non compris  
 Nicht inbegriffen  
 Non è inclusa  
 No incluido

Fits Tempress Fish-On® & Roberts® Rod Holder Sockets

These rod holder mounts fit the popular Tempress Fish-on® and many other socket type rod holder mounts. They allow the Single Mount Tables to be locked in 12 different positions and quickly disconnected for easy storage without tools. Rod holder sockets not included.

Tempress and Fish-On are registered trademarks of Tempress, Inc.

- F** MONTAGE DE TIGE TYPE "FISH-ON"™ POUR TABLE A MONTURE-SIMPLE (SM)  
 Ce montant en acier inoxydable 18-8 est compatible avec les socles de maintien de lignes de type "Fish-On"™. Autorise les rotations et permet de régler le niveau. Se détache rapidement de la table ou du socle pour un rangement compacte.
- D** "FISH-ON"™ HALTERUNG FÜR ANGELRUTENHALTER FÜR TRANCHIERTISCH EINZEL-HALTERUNG (SM)  
 Dieser Halterung aus rostfreiem 18-8 Stahl paßt in die populären "Fish-On"™- Halter-Hülsen für Angelruten. Höhen-und Seitenverstellbar. Leichte Demontage von Tisch und Hülse zur kompakten Verstaung.
- I** "FISH-ON"™ MONTATURA PER PRESA ESCHER PER PESCI PER TAVOLI SEMPLICY-MONTATURA (SM)  
 Questa montatura in acciaio inossidabile 18-8 può essere inserita nelle presa modello reggi asta "Fish-On"™.Può essere agglustata in altezza e posizionata per rotazione. È facilmente removibile sia dal tavolo che dalla presa per un facile immagazzinamento.
- E** "FISH-ON"™ MONTAJE PARA SOPORTES DE VARILLAS DE PESCAR PARA MESA MONTAJE INDIVIDUAL (SM)  
 Este montaje de acero inoxidable 18-8 ajusta dentro del popular tubo soporte de tipo varilla "Fish-On"™. Esto permite ajustar el nivel y rotar la posición. Se separa rápidamente de la mesa y el tubo para su almacenaje compacto.



**NOTE: Instructions and fasteners for mounting to Gourmet Series Grills are included with the grill.**