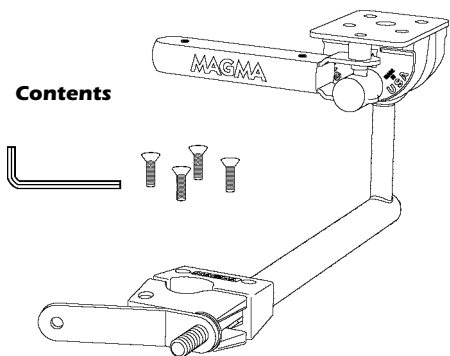


Use with Single Mount "SM" Tables or Gourmet Series Grills

## Standard Duty



### Fits Large Round Rails 1-1/2" (38mm)

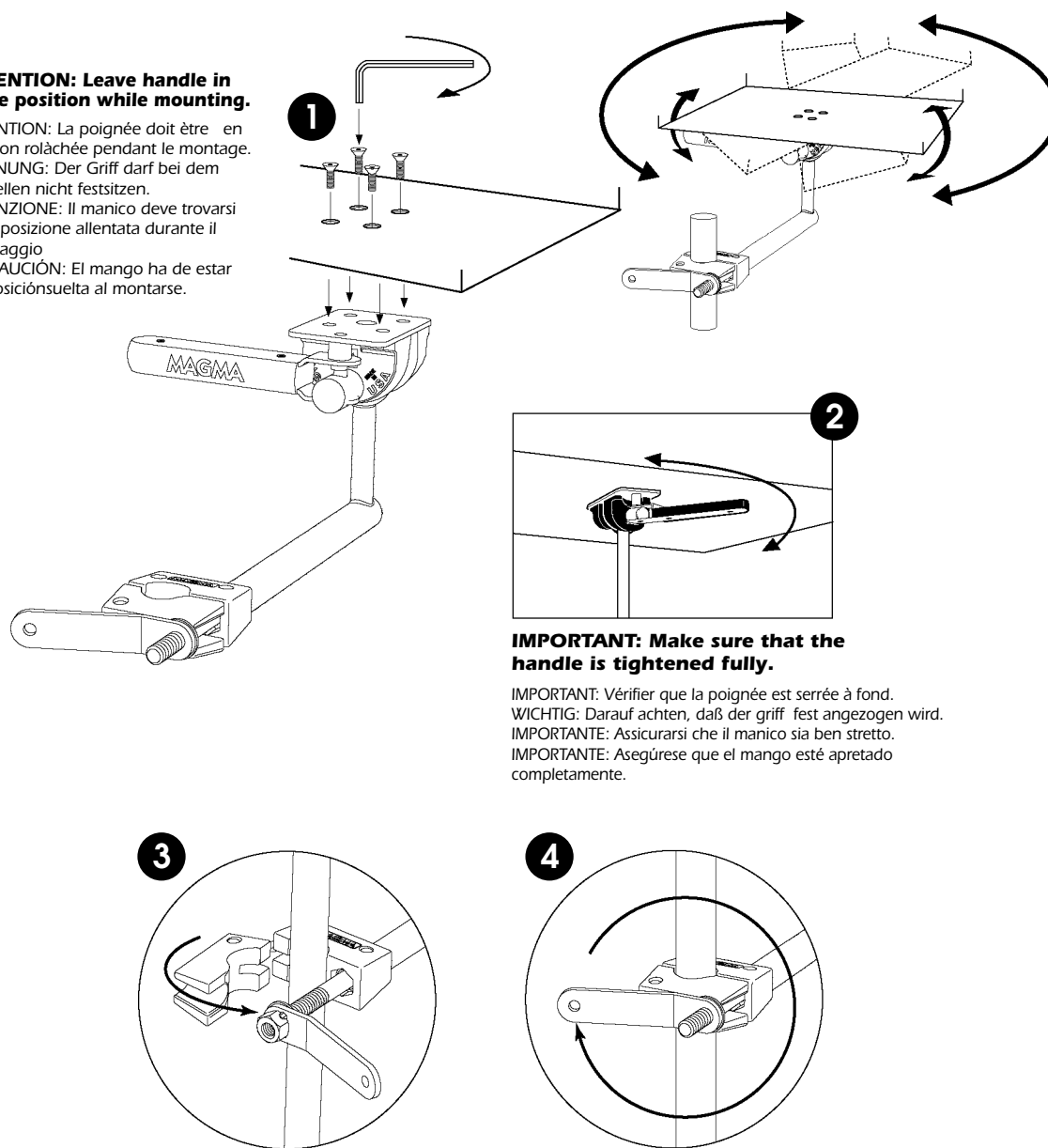
This mount combines the versatility of our popular "LevelLock"<sup>®</sup> all-angle quick release, cam-action mount for instantaneous leveling, with our sturdy vertical, out-over-the-water Round Rail Mount. This mount is made entirely of 18-9 stainless steel and 356 anodized aluminum to outlast even the most severe marine environments. Quickly disassembles for stowage without tools, leaving no hardware on the rail.

**Note:** Not recommended for use with the A10-1225 "Monterey" Gourmet Series Gas Grill.

**Note:** Not recommended for use with plastic rail size adapters.

#### ATTENTION: Leave handle in loose position while mounting.

ATTENTION: La poignée doit être en position relâchée pendant le montage.  
 WARNUNG: Der Griff darf bei dem einstellen nicht festsitzen.  
 ATTENZIONE: Il manico deve trovarsi nella posizione allentata durante il montaggio.  
 PRECAUCIÓN: El mango ha de estar en posición suelta al montarse.



#### IMPORTANT: Make sure that the handle is tightened fully.

IMPORTANT: Vérifier que la poignée est serrée à fond.  
 WICHTIG: Darauf achten, daß der griff fest angezogen wird.  
 IMPORTANTE: Assicurarsi che il manico sia ben stretto.  
 IMPORTANTE: Asegúrese que el mango esté apretado completamente.

**NOTE: Instructions and fasteners for mounting to Gourmet Series Grills are included with the grill.**