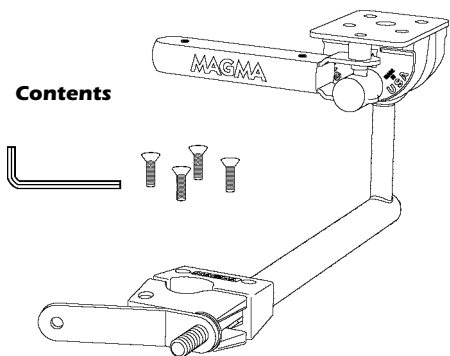


Use with Single Mount "SM" Tables or Gourmet Series Grills

Standard Duty



**Fits Oversize Round Rails
1-1/4" (32mm)**

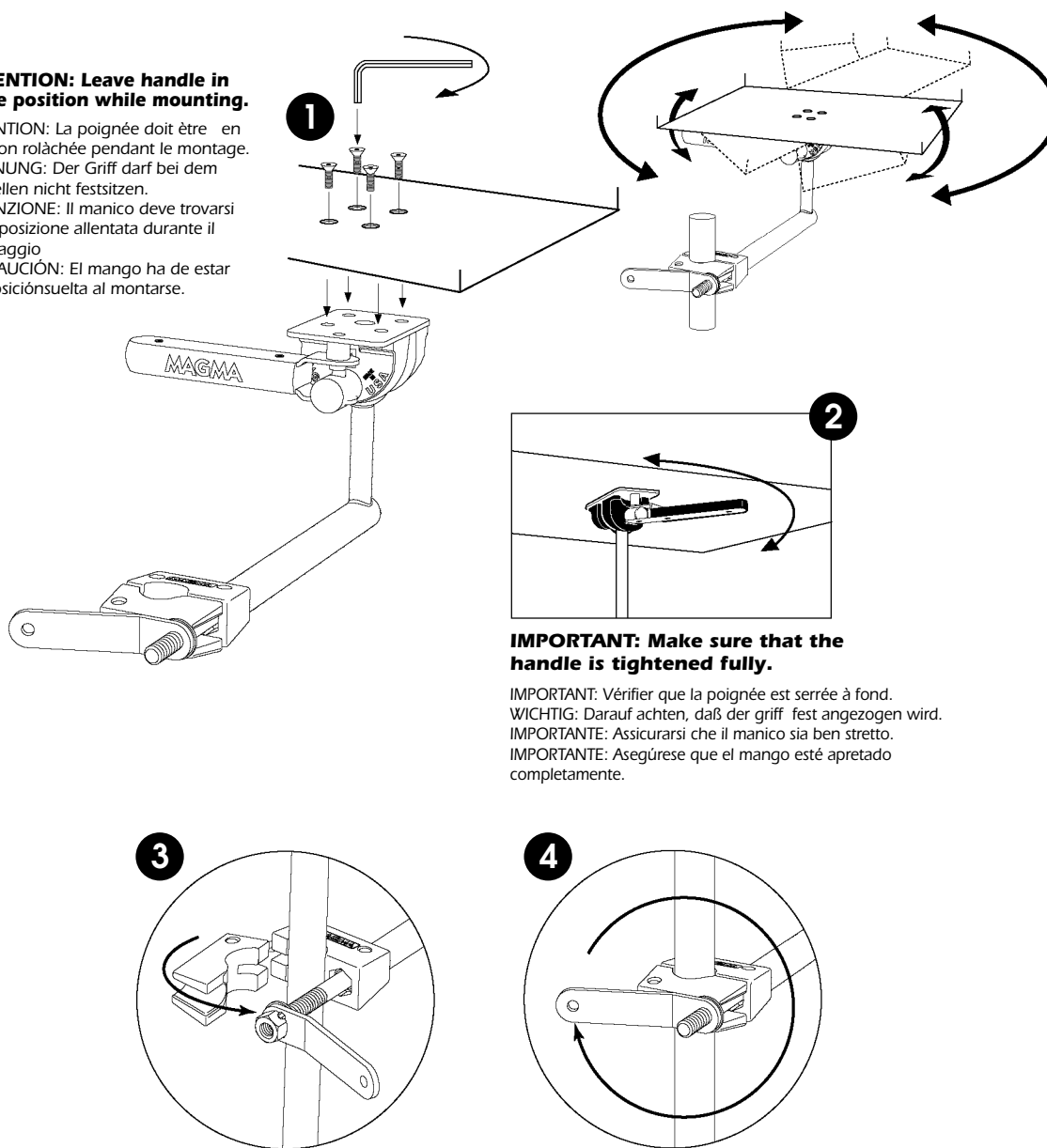
This mount combines the versatility of our popular "LevelLock"[®] all-angle quick release, cam-action mount for instantaneous leveling, with our sturdy vertical, out-over-the-water Round Rail Mount. This mount is made entirely of 18-9 stainless steel and 356 anodized aluminum to outlast even the most severe marine environments. Quickly disassembles for stowage without tools, leaving no hardware on the rail.

Note: Not recommended for use with the A10-1225 "Monterey" Gourmet Series Gas Grill.

Note: Not recommended for use with plastic rail size adapters.

ATTENTION: Leave handle in loose position while mounting.

ATTENTION: La poignée doit être en position relâchée pendant le montage.
 WARNUNG: Der Griff darf bei dem einstellen nicht festsitzen.
 ATTENZIONE: Il manico deve trovarsi nella posizione allentata durante il montaggio.
 PRECAUCIÓN: El mango ha de estar en posición suelta al montarse.



IMPORTANT: Make sure that the handle is tightened fully.

IMPORTANT: Vérifier que la poignée est serrée à fond.
 WICHTIG: Darauf achten, daß der griff fest angezogen wird.
 IMPORTANTE: Assicurarsi che il manico sia ben stretto.
 IMPORTANTE: Asegúrese que el mango esté apretado completamente.

NOTE: Instructions and fasteners for mounting to Gourmet Series Grills are included with the grill.