

T10-685

“Dual” Extended Horizontal Round Rail Mount

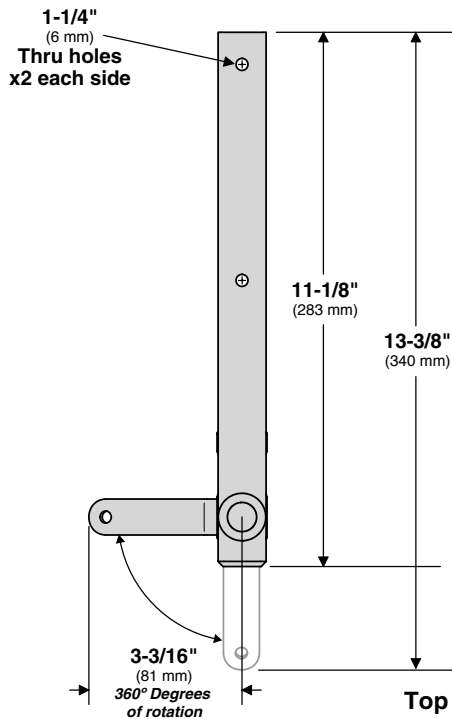
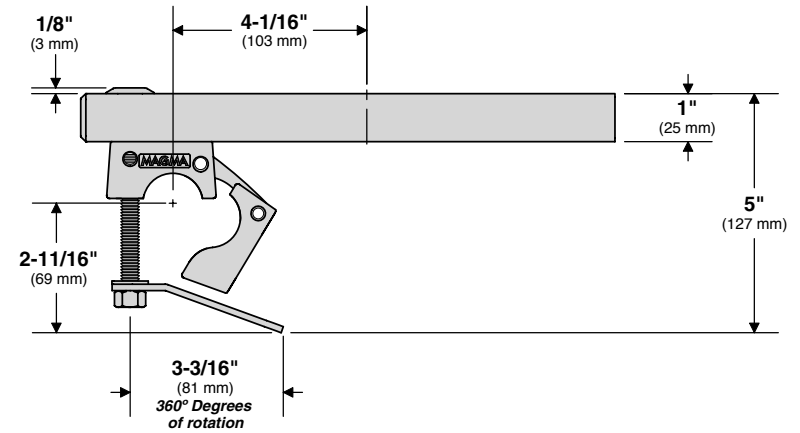
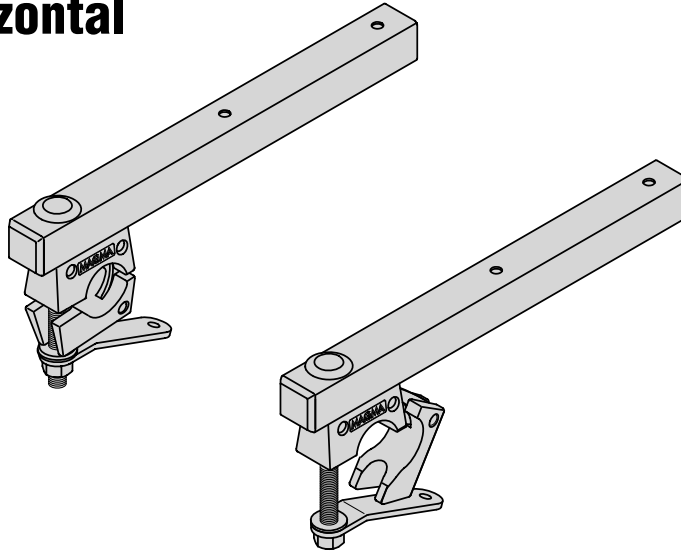
Fits Oversize Rails 1-1/4"
(32 mm)

Mount Weight 2.26 lb.
(1.03 kg)

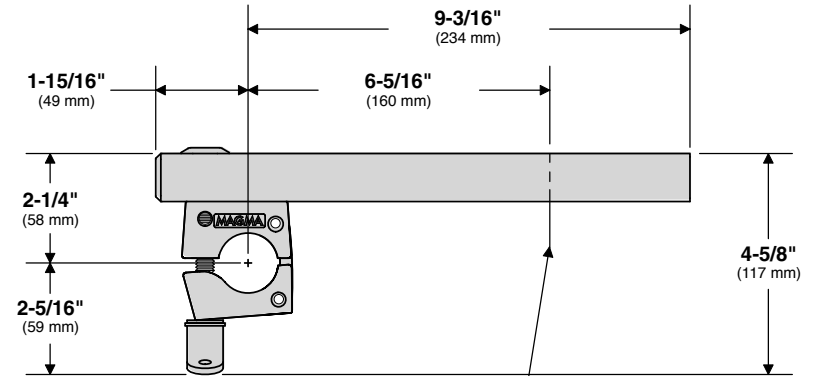
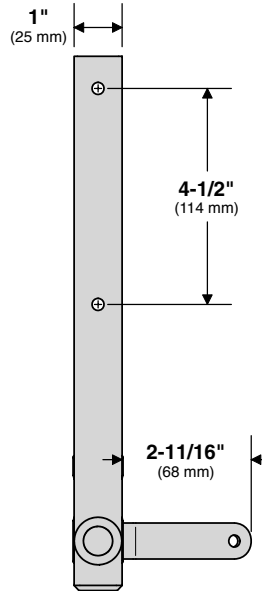


MAGMA PRODUCTS, INC.

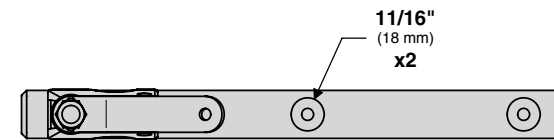
3940 PIXIE AVE. • LAKEWOOD, CA 90712
TEL (562) 627-0500 • FAX (562) 627-0550
www.MagmaProducts.com
email: Mail@MagmaProducts.com



Top View



Center of Hole Pattern



Bottom View