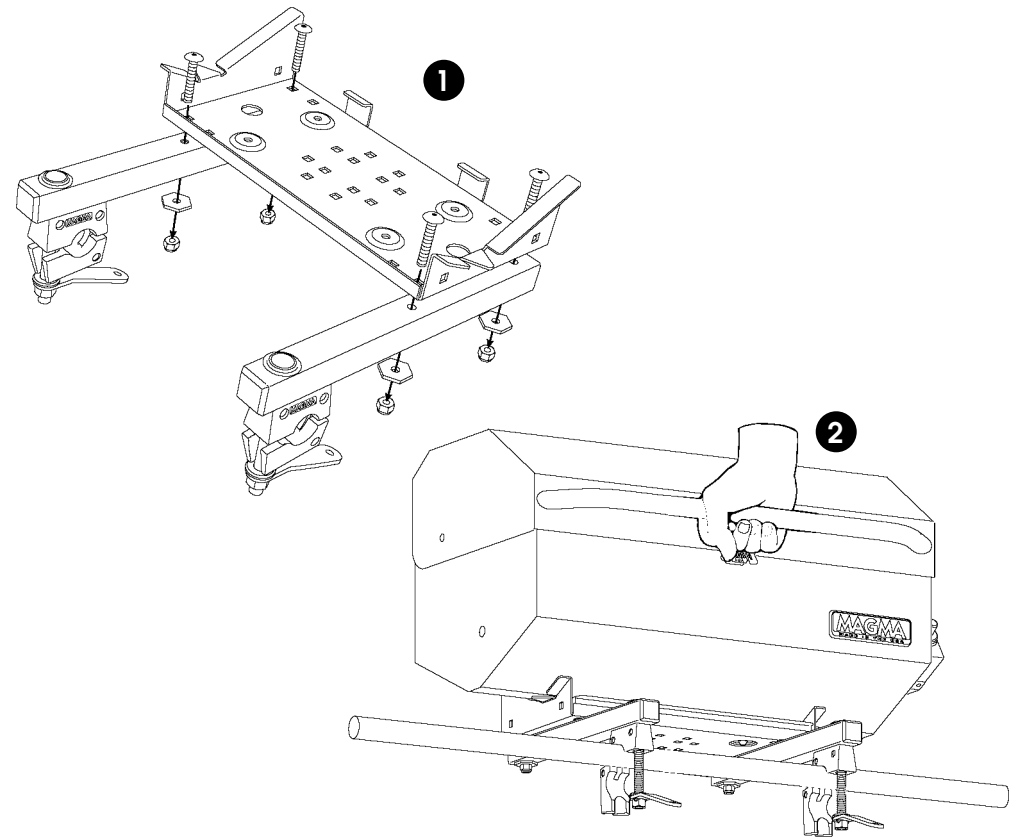
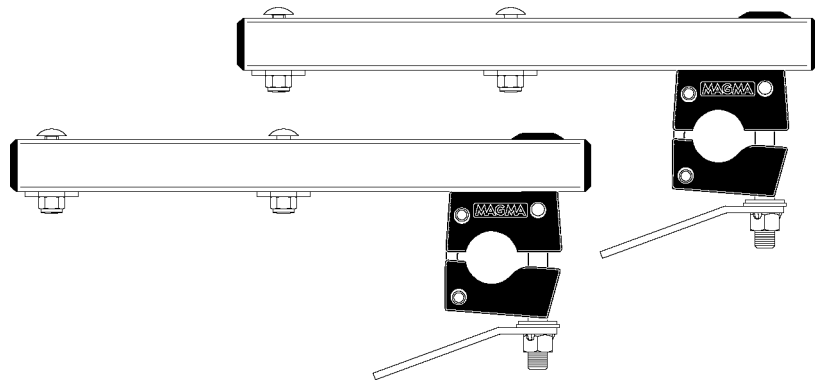


Use with Gourmet Series Grills
Heavy Duty



T10-680

Fits Standard 1" Horizontal Round Rails (25.5 mm)

T10-685

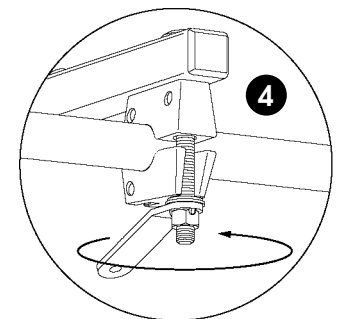
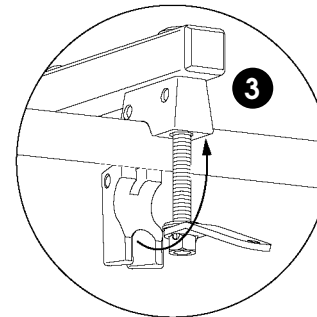
Fits Oversize 1-1/4" Horizontal Round Rails (32 mm)

T10-690

Fits Large 1-1/2" Horizontal Round Rails (38 mm)

This round rail, quick-disconnect, mounting bracket is made entirely of 18-8 stainless steel and hard and 356 anodized aluminum. Allows mounting of Gourmet Series Grills out over the water. The quick-disconnect system allows quick disassembly leaving no hardware on the rail.

NOTE: Not recommended for use with the A10-1225 "Monterey" Gourmet Series Gas Grill.



NOTE: Instructions and fasteners for mounting to Gourmet Series Grills are included with the grill.