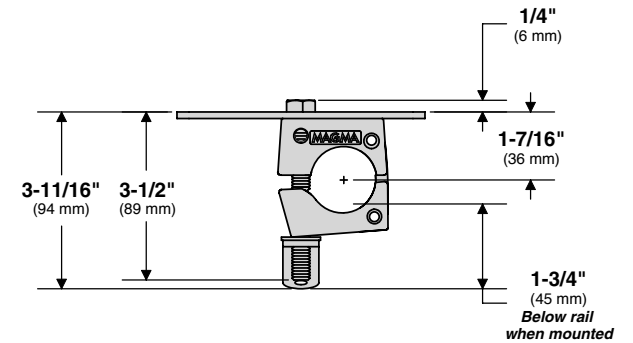
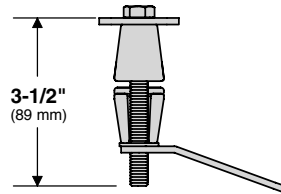
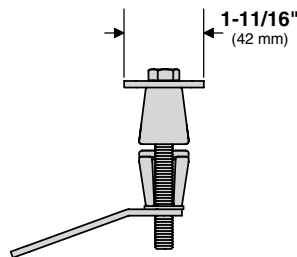
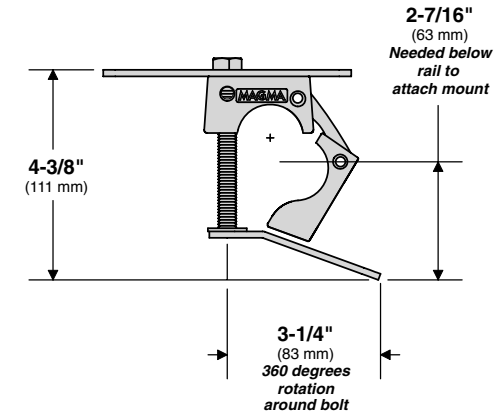
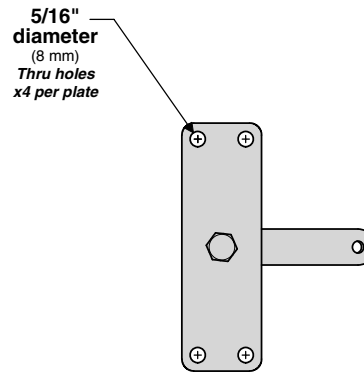
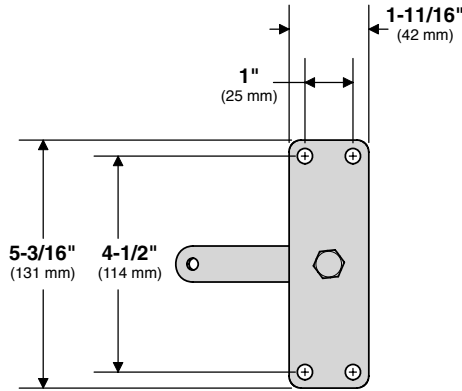
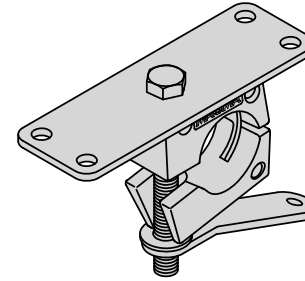
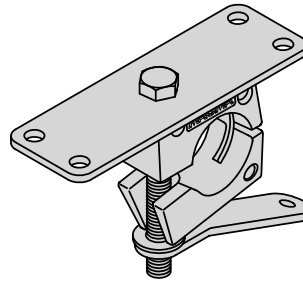


T10-590 "Dual" Horizontal Round Rail Mount

Fits Large Rails 1-1/2"
(38 mm)

Mount Weight 1.81 lb.
(0.82 kg)



MAGMA PRODUCTS, INC.

3940 PIXIE AVE. • LAKEWOOD, CA 90712 • TEL (562) 627-0500 • FAX (562) 627-0550

www.MagmaProducts.com • email: Mail@MagmaProducts.com