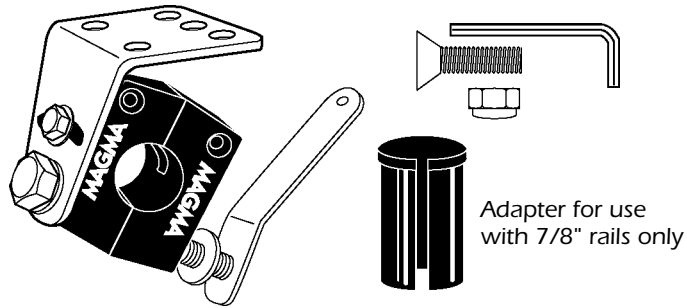


**Use with Single Mount "SM" Tables or Gourmet Series Grills
Standard Duty**



Adapter for use with 7/8" rails only

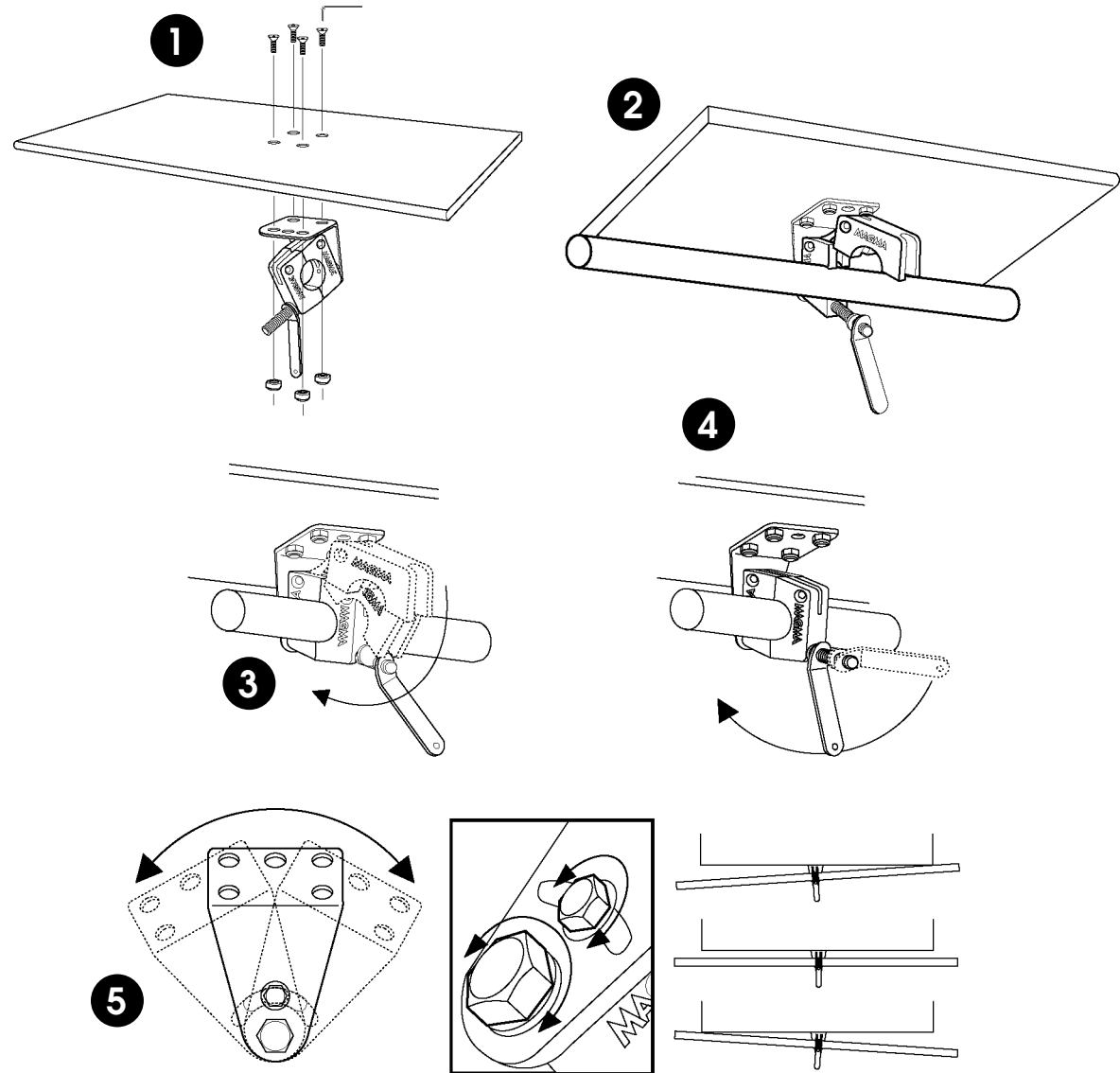
**Fits Standard Round Rails
7/8"* or 1"** (22*mm or 25mm)

Attaches to horizontal round rails and features two way angle adjustment for perfect horizontal leveling. Made of 18-8 stainless steel and 356 anodized aluminum, it quickly detaches without tools for compact storage leaving no hardware on the rail. Also great for mounting solar panels, fish finders, or just about anything else.

*7/8" plastic rail adapter not for grill application.
Use T10-580 *7/8" "Dual" Horizontal Rail Mount.

- F** MONTURE POUR RAMPE CYLINDRIQUE POUR TABLE A MONTURE-SIMPLE (SM)
Se fixe aux rampes cylindriques horizontales ; présente un dispositif de réglage d'inclinaison bidirectionnel pour la mise à niveau horizontale. Construite en acier inoxydable 18-8 et aluminium anodisé 356, elle se fixe et se détache facilement sans outils.
- D** HALTERUNGEN FÜR RUNDE RELING FÜR TRANCHIERTISCH EINZEL-HALTERUNG (SM)
Wird an horizontaler runder Relling befestigt. Zweifach verstellbar zum horizontalen Balancieren. Aus rostfreiem 18-8 Stahl und anodisiertem 356 aluminium. Läßt sich leicht ohne Werkzeuge montieren und demontieren.
- I** MONTATURA A BATTAGLIOLA ROTONDA PER TAVOLI SEMPLICY-MONTATURA (SM)
È montato ad una battagliola circolare orizzontale e presenta due possibili angolazioni per il livellamento orizzontale. Fatto in acciaio inossidabile 18-8 e alluminio anodizzato 356 è facilmente montabile senza attrezzi.
- E** MONTAJE DE BARANDA PARA MESA MONTAJE SIMPLE (SM)
Se monta a una baranda horizontal redonda y tiene dos ajustes de ángulo para regular el nivel horizontal. Hecho de acero inoxidable 18-8 y aluminio anodizado 356, se coloca y remueve fácilmente sin herramientas.

NOTE: Instructions and fasteners for mounting to Gourmet Series Grills are included with the grill.



- To adjust level
- Pour rendre la table horizontale au niveau désiré
- Zur Tischnivellierung.
- Adattatore di livello per fare in modo che il tavolo sia orizzontale
- Ajustar el nivel