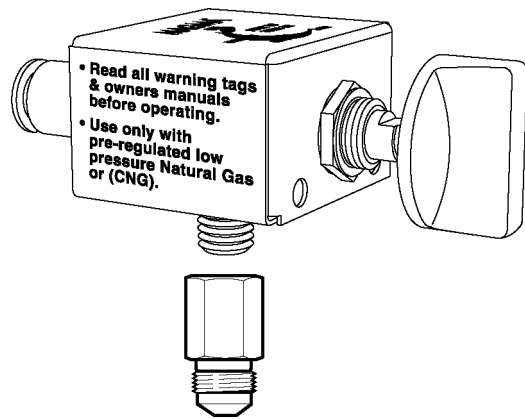


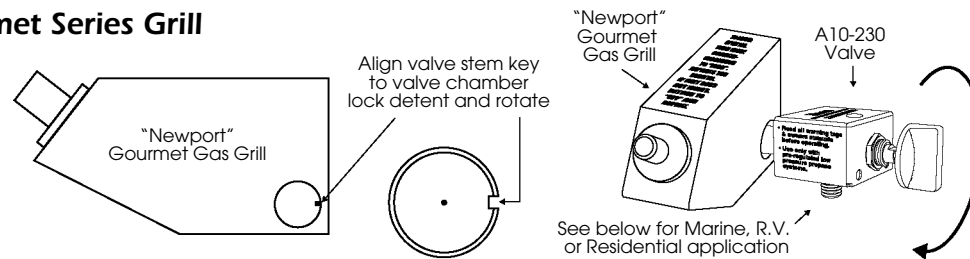
**For All Gas Marine Kettles®
& "Newport" Gourmet Series Grills
Type 4 - Low Output**



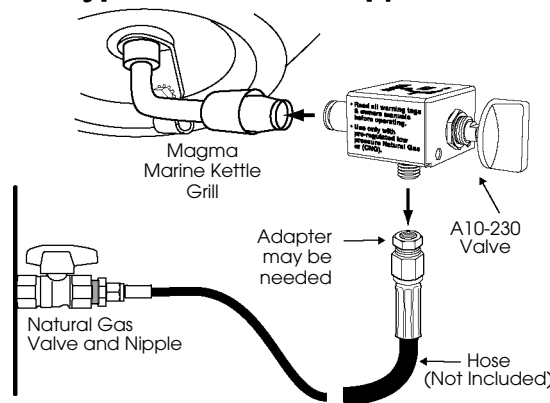
CONTROL VALVE FOR USE WITH RESIDENTIAL NATURAL GAS APPLICATIONS OR FOR MARINE AND RECREATIONAL VEHICLE (R.V.) LOW PRESSURE COMPRESSED NATURAL GAS (CNG) SYSTEMS.

For pre-regulated low pressure natural gas systems, this brass control valve is designed to allow use of the Magma Marine Kettle Gas Grill & "Newport" Gourmet Series Grill with residential natural gas, marine & R.V. CNG systems.

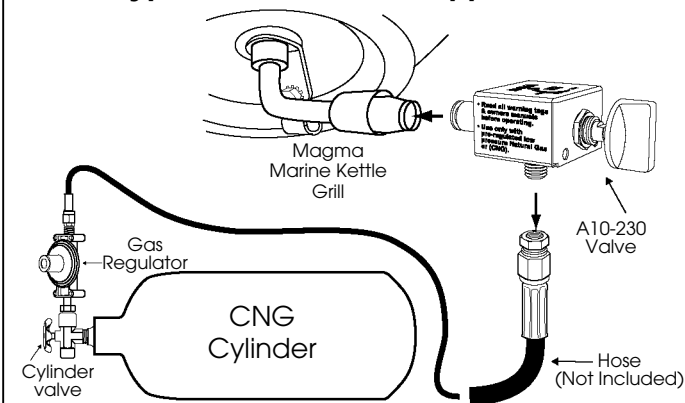
Gourmet Series Grill



Typical Residential Application

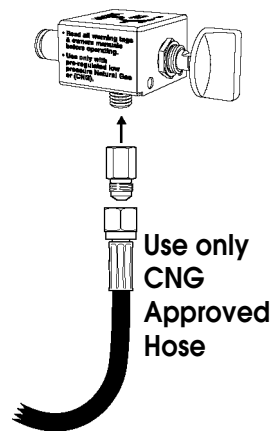


Typical Marine & R.V. Application



Safety Instructions for A10-230 Pre-regulated Low Pressure Natural Gas Valve

- Consult CNG appliance dealer for correct fittings, hose and proper installation procedure.
- The connector thread size of this valve is 1/8" - 27 American standard taper pipe thread or 1/8" - 27 MNPT. ▶ Adapter may be required to affix hose
- Read all warning labels on grill, valve and instruction sheets supplied with the products. Read complete grill "OWNERS MANUAL" before attempting to install or operate.
- A primary shutoff valve must be used in conjunction with this control valve at the point of connection into your system. This allows for shut off of the gas supply to the hose leading to the grill.
- Always check for leaks with a soap suds solution before attempting to light the grill.



WARNING: NEVER USE A FLAME TO CHECK FOR GAS LEAKS!